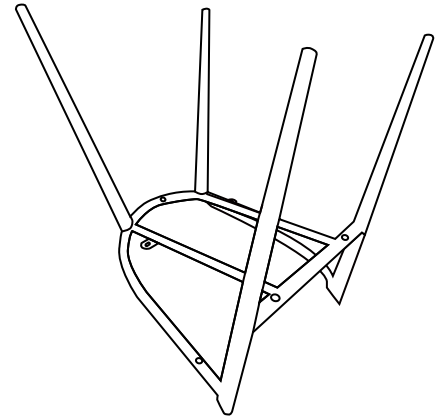
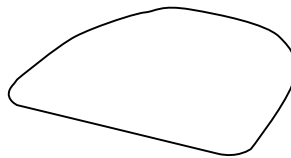
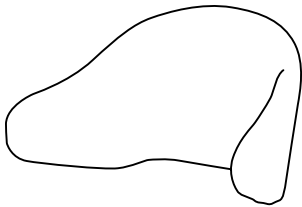


AVRINO (GDC763Aa)

1

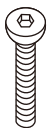
2

3



1	1x
2	1x
3	1x

A



M6x35mm

5x

B



M6x16mm

2x

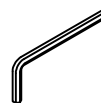
C



Ø16xØ6x1.5mm

7x

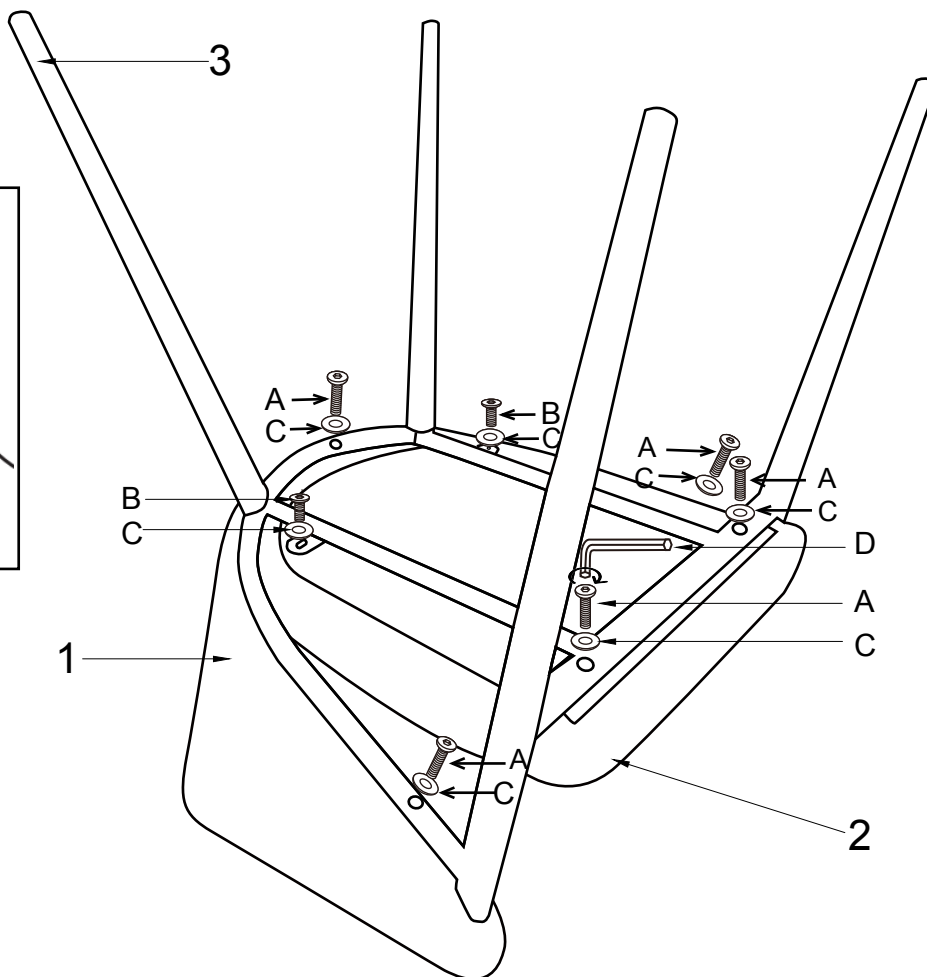
D



5MM

1x

1



3

